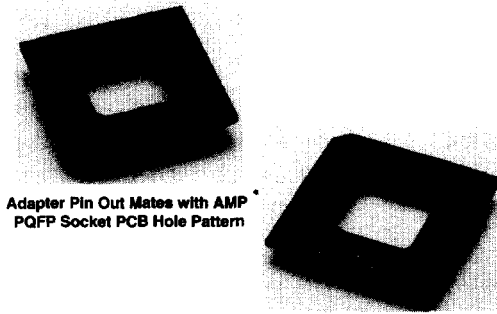
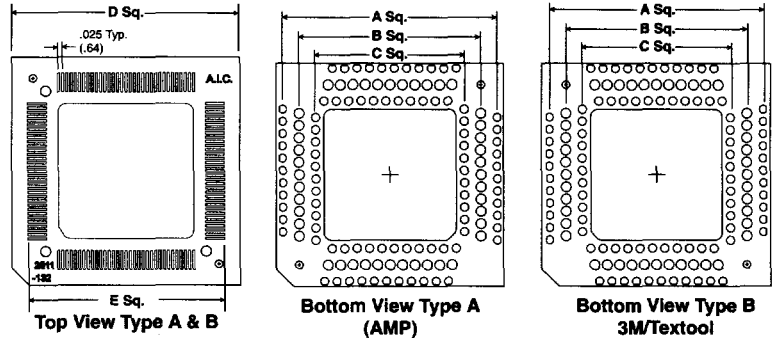


.025" (.64mm) Pitch QFP Adapters and Mating Sockets for AMP® & 3M/Textool®



Adapter Type A & B



Adapters

Features:

- Adapter allows present Gull Wing devices to be solderable or socketable in a thru-hole application.
- Adapts JEDEC QFP footprints to standard PCB hole pattern of AMP® PQFP socket with .100" (2.54mm) spacing.

Terminals:

Terminal: Brass Tin-Lead Plated

Mating Sockets

Features:

- Thru hole type sockets allow standard wave soldering of gull wing device to PCB.
- Peel-A-Way® sockets allow for improved cleaning, inspection and dissipation of heat.

Terminals:

Terminal: Brass - Copper Alloy 360, ASTM-B-16

Contact: Beryllium Copper - Copper Alloy 172, ASTM-B-194

Body Material:

FR-4 Sockets & Adapters:
Fiberglass Epoxy Board U.L.
Rated 94V-O, Index 140° C (284° F)

Peel-A-Way® Sockets Only:

Polyimide Film 94 VTM-O -269° C to 400° (-452° F to 752° F)

Device to Adapter Soldering Service Available by Advanced Interconnections

Type "A" Adapters for AMP® Socket PCB Hole Pattern

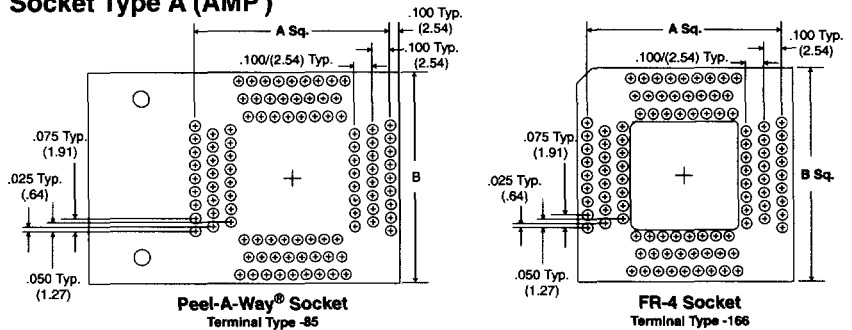
Part Number	# of Positions	A	B	C	D	E
2511-100S	100	1.100 (27.94)	.900 (22.86)	.700 (17.78)	1.150 (29.21)	.965 (24.51)
4082-132S	132	1.300 (33.02)	1.100 (27.94)	.900 (22.86)	1.350 (34.29)	1.185 (29.99)
2511-196S	196	1.700 (43.18)	1.500 (38.10)	1.300 (33.02)	1.750 (44.45)	1.565 (39.75)

* Molded Murphy Circuit®

Type "B" Adapters for 3M/Textool® Socket PCB Hole Pattern

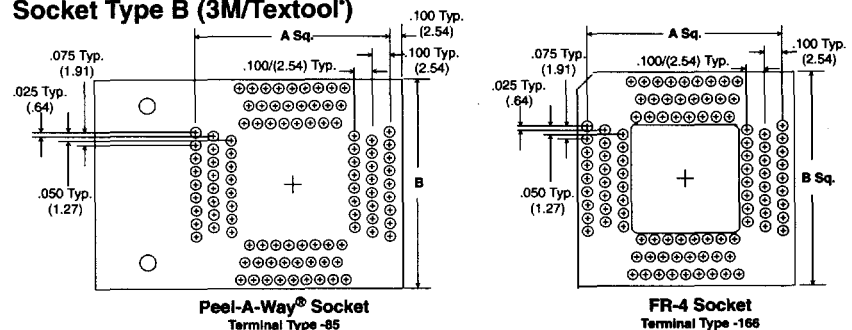
Part Number	# of Positions	A	B	C	D	E
2554-100S	100	1.100 (27.94)	.900 (22.86)	.700 (17.78)	1.150 (29.21)	.965 (24.51)
2554-132S	132	1.300 (33.02)	1.100 (27.94)	.900 (22.86)	1.350 (34.29)	1.185 (29.99)

Socket Type A (AMP®)



Peel-A-Way® Part Number	FR-4 Part Number	# of Positions	A	B
2519-100TG	2514-100TG	100	1.100 (27.94)	1.200 (30.48)
2519-132TG	2514-132TG	132	1.300 (33.02)	1.400 (35.56)
2519-196TG	2514-196TG	196	1.700 (43.18)	1.800 (45.72)

Socket Type B (3M/Textool®)



Peel-A-Way® Part Number	FR-4 Part Number	# of Positions	A	B
2556-100TG	2558-100TG	100	1.100 (27.94)	1.200 (30.48)
2556-132TG	2558-132TG	132	1.300 (33.02)	1.400 (35.56)

NEW - Now Available with Murphy Circuit® Technology (Molded in Lead Frame)